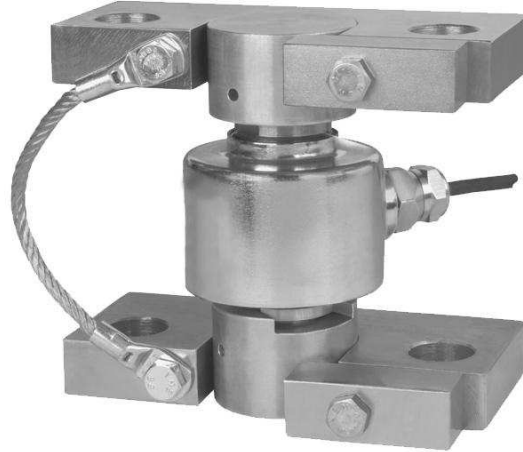


## Rocker pin

for force transducer F1270 with nominal load  
from 7,5 t up to 22,5 t



### Description

The mounting parts for the force transducers are so designed that the force is applied in an optimum way. The self-aligning bearing AZK01X711 in conjunction with the force transducer F1270 forms a self centring unit that has low height.

The unit is secured with screws.

An installation gauge is available to make the installation simple and accurate.

### Features

- Supply kit:
  - 2 hardened thrust pieces with 0-ring;
  - 2 retaining plates;
  - 2 clamps;
  - bridging cable;
  - 1 set of assembly screws
- cost-effective
- simple installation
- specially designed for platform weighing machines with high nominal load
- Permitted for weighing machines that are appropriate for verification

### Accessories:

- Built-in gauge
- Sealing plate

### Measuring range

- 7.5 t, 15 t und 22.5 t

### Applications

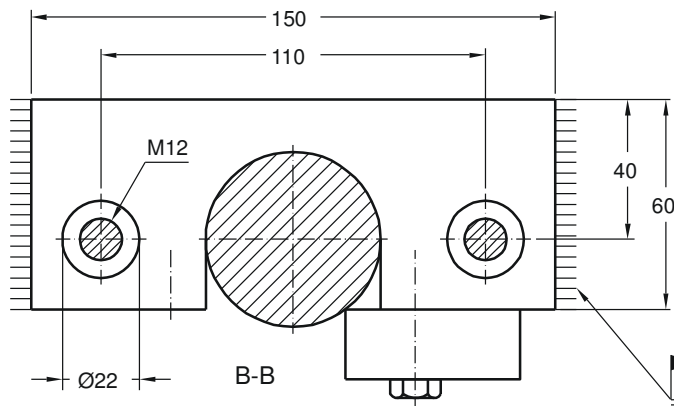
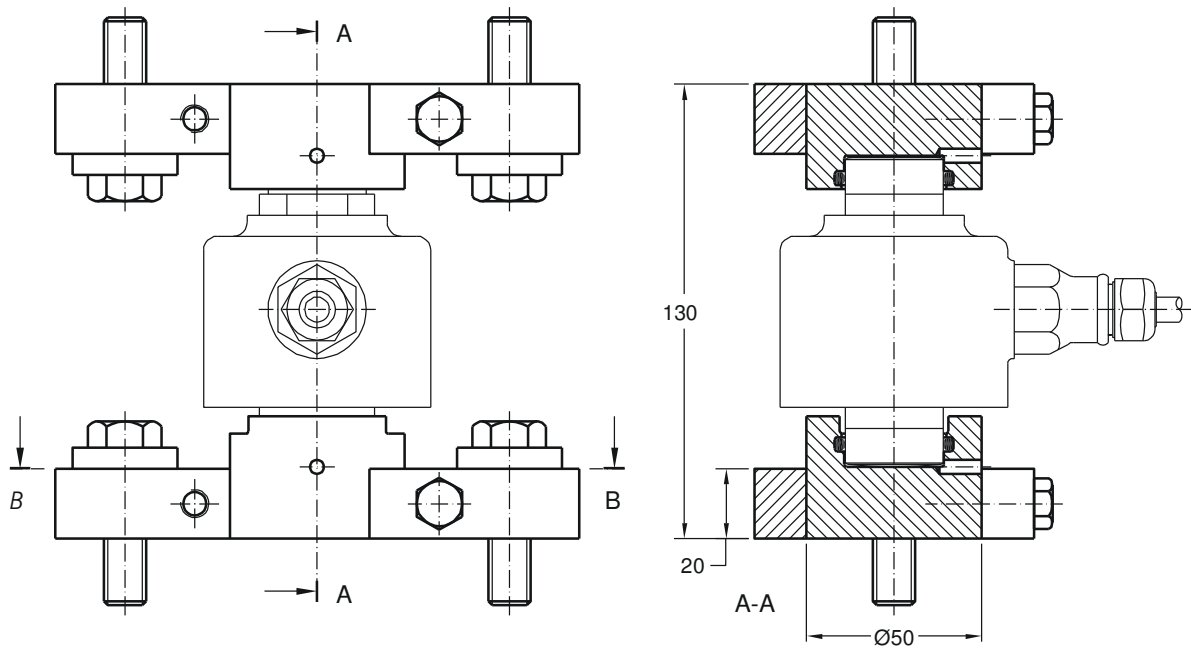
- For force transducers of the models F1270

### Material

- Standard: Steel, galvanised
- Option: Stainless steel

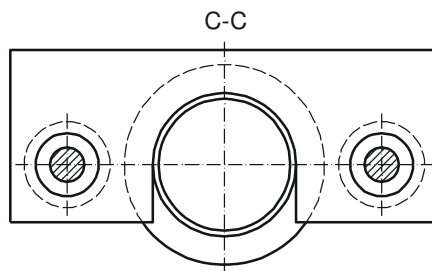
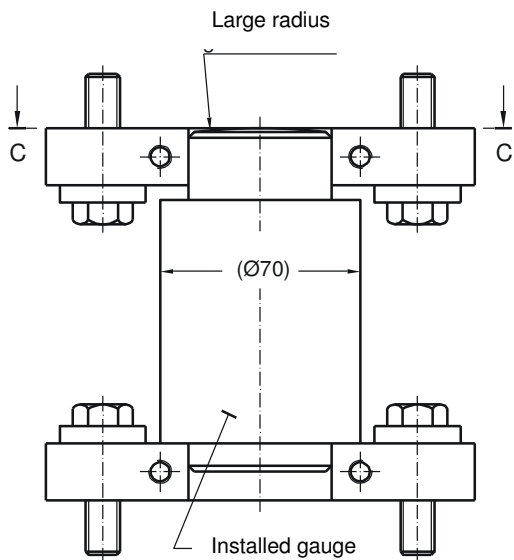
**Model: AZK01X711**

# Dimensional drawing



Notes:  
 Limit Stopps are required.  
 Gap approx. 2...3 mm.  
 Assembly surfaces horizontal  
 to within 0.4/100.

As an alternative, the plates  
 can be welded.



Dimensions in mm

Subject of technical changes